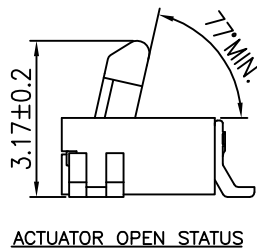
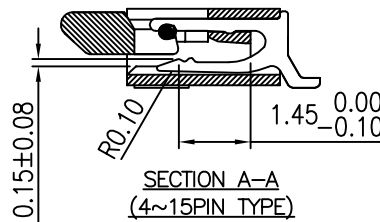
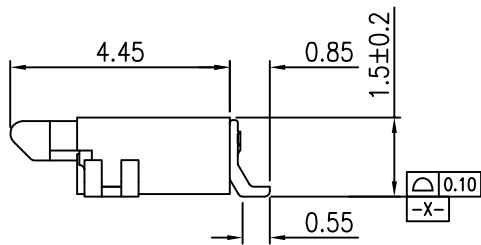
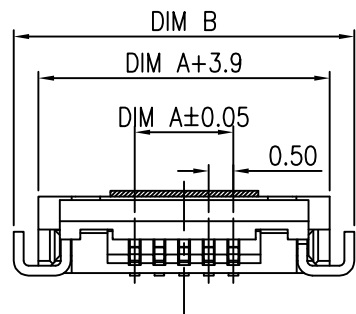


APPLICABLE FPC/FFC LAYOUT
FPC/FFC THICKNESS 0.30±0.03mm

RECOMMEND PCB LAYOUT
GENERAL TOLORANCE ±0.10



ACTUATOR OPEN STATUS

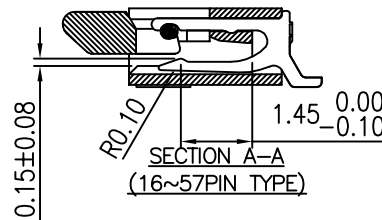
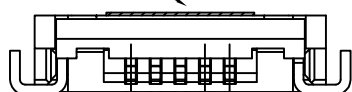


SECTION A-A
(4~15PIN TYPE)

FOR WXT12-88195 T=0.12



FOR W3T06-88195 T=0.06



SECTION A-A
(16~57PIN TYPE)

NOTES:

- MATERIAL:
HOUSING IS HIGH TEMP THERMO PLASTIC.
TERMINAL and FITTING NAIL IS COPPER ALLOY.
- PLATING:
2.1 contact:
50 u" MIN. NICKEL ALL OVER.
1: GOLD FLASH OVERALL.
M:3u" GOLD ON CONTACT AND SOLDER FOR SELECTIVENESS PLATING
N: 100u" MIN. MATT TIN UNDERPLATNG OVERALL.
3: 1u" GOLD ON CONTACT AREA AND SOLDER AREA
2.2 FITTING NAIL:
50u" MIN. NICKEL UNDERPLATING OVERALL.
1: GOLD FLASH UNDERPLATING OVERALL.
N: 100u" MIN. MATT TIN UNDERPLATING OVERALL.
- THE COPLANARITY IS 0.10mm MAX.
- THE TRUE POSITION IS 0.10mm MAX.
- REFLOW SOLDER CAPABLE TO 260°C PER ACES SPEC.
- SPEC. PLS. REFER TO PS-50507-xxxxx-xxx
- PACKAGE PLS. REFER TO 88195-xxxx-TRP

PART LEGEND

50506-XXX X X-XXX

CKTS

Packing

0:TAPE & REEL

1:TUBE

4:T&R WITH MYLAR

5:TUBE WITH MYLAR

XXX	HOUSING MATERIAL&COLOR	ACTUATOR MATERIAL&COLOR	PACKAGE
.001	LCP&BLACK	PAG&NATURAL	88195-XXCR

Plating

- GOLD FLASH OVERALL
- M:3u" GOLD ON CONTACT AND SOLDER FOR SELECTIVENESS PLATING
- N: MATTE TIN(LEAD FREE)
- 3: 1u" GOLD ON CONTACT AREA
- 1u" GOLD ON SOLDER AREA

CKTS	DIM A			CKTS	DIM B		
	±0.05	±0.10	±0.20		±0.05	±0.15	±0.20
4	1.50	6.4		31	15.00	19.9	
5	2.00	6.9		32	15.50	20.4	
6	2.50	7.4		33	16.00	20.9	
7	3.00	7.9		34	16.50	21.4	
8	3.50	8.4		35	17.00	21.9	
9	4.00	8.9		36	17.50	22.4	
10	4.50	9.4		37	18.00	22.9	
11	5.00	9.9		38	18.50	23.4	
12	5.50	10.4		39	19.00	23.9	
13	6.00	10.9		40	19.50	24.4	
14	6.50	11.4		41	20.00	24.9	
15	7.00	11.9		42	20.50	25.4	
16	7.50	12.4		43	21.00	25.9	
17	8.00	12.9		44	21.50	26.4	
18	8.50	13.4		45	22.00	26.9	
19	9.00	13.9		46	22.50	27.4	
20	9.50	14.4		47	23.00	27.9	
21	10.00	14.9		48	23.50	28.4	
22	10.50	15.4		49	24.00	28.9	
23	11.00	15.9		50	24.50	29.4	
24	11.50	16.4		51	25.00	29.9	
25	12.00	16.9		52	25.50	30.4	
26	12.50	17.4		53	26.00	30.9	
27	13.00	17.9		54	26.50	31.4	
28	13.50	18.4		55	27.00	31.9	
29	14.00	18.9		56	27.50	32.4	
30	14.50	19.4		57	28.00	32.9	

QUALITY SYMBOLS		DRAWN BY	DATE
MAJOR	⊙	Xu,JinJun	21/05/29
CRITICAL	⊗	CHECKED BY	DATE
GENERAL TOLERANCES (UNLESS SPECIFIED)		Xu,ZhiYong	21/05/29
X.	±0.5	APPROVED BY	DATE
.X	±0.35	Xu,ZhiYong	21/05/29
.XX	±0.35	UNITS	SIZE
.XXX	±0.25	mm	A4
ANGLES	±2°	SCALE	REV
		6:1	L
		SHEET NO.	DWG NO.
		1 OF 1	50506-XXXXX-XXX

ACES ELECTRONICS	
TITLE	
0.5mm ZIF EASY-ON FPC	
S/T R/A H=1.5 mm	
RFG NO.	N/A